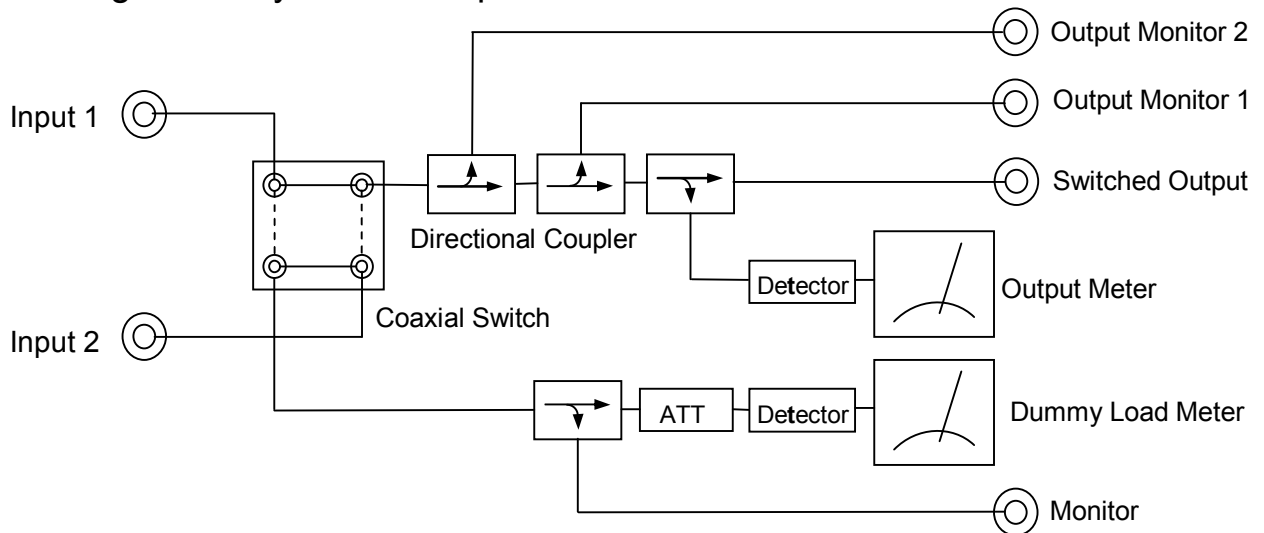


Coaxial Switching units for TV Transposer

These coaxial switching units are designed for digital TV transposers with output power from 0.5W to 15W. They compose a coaxial switch, directional couplers, an attenuator, power meters for output and dummy load, and are remote-controllable.



Block Diagram of System Example



Model	CSE-N-015	CSE-N-007	CSE-N-005	CSE-N-1R5	CSE-N-0R5
Frequency Range	Specified Channel in UHF band				
Rated Power	15W	7W	5W	1.5W	0.5W
VSWR	1.2 max.				
Isolation	60dB min.				
RF Connectors	N-J				
Switching Operations	Latching				
Switching Time	50ms max.				