

## Microwave Auto-Matching Tuner

3E Tuner AMC-MU4-01

This Microwave Auto-Matching Tuner is set on a 2450MHz waveguide line between a microwave Oscillator and a plasma chamber.

If the load impedance fluctuates, and unmatched with the input impedance, reflected power would be increased, and power efficiency would be reduced. This tuner enables impedance matching automatically against load impedance fluctuation, and keeps minimum reflected power.



## Features

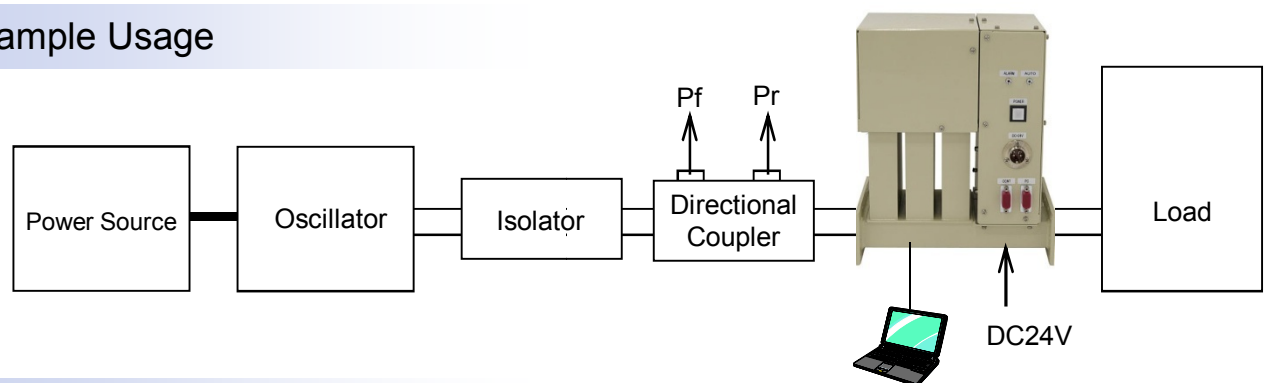
World' smallest model (as of Aug. 2009)

There are 3 movable shorts on the E-plane of the matching section, it has advantages compare to stub matching as below

- Excellent high power durability
- Quick matching time
- Wide matching range (VSWR10)
- Air cooling

It can be operated full automatic locally. If connected PC, it can be also remote-controlled or monitored or memorized settings.

## Example Usage



## Specifications

Model	3E Tuner AMC-MU4-01
Frequency	2450 ± 30MHz
Power	5kW CW
Tuning	3E Tuning
Waveguide	2GHz flat rectangular waveguide(96x27mm) Aluminum
Flange	equivalent to TBR-2A2 Alminum
Load Matching Range	Load VSWR10
Matching Accuracy	Remained VSWR 1.2 max. (TYP)
Respond Time	2 sec. max.
PC Interface	RS-232C
Power Supply	DC24V 2A
Accessories	PC Software(for Windows XP, Vista)
Option	24V DC Power Pack, Directional Coupler



NIHON KOSHUHA Co., Ltd.